

Omron Lynx Handler-Semi



The Omron Adept Lynx™ Semi Handler combines a Lynx autonomous indoor vehicle (AIV) with a collaborative 4-axis robot to produce a highly versatile mobile robot designed to pick, place and move semiconductor waferpods throughout a wafer fab. It is designed to exchange wafer pods from a variety of processing equipment, stockers and storage (WIP) racks, and operates collaboratively within a fleet of Lynx vehicles.

The on-board intelligence of the vehicle eliminates the need for additional infrastructure such as tracks, reflectors or magnets. It moves nimbly within narrow aisles and operates safely alongside people. The Lynx Semi Handler improves production yield by eliminating human-generated dust particles and by following instructions from the fab production software system, ensuring no errors in the physical handling of or the identification of wafer pods.

Specifications

Weight	110 kg (243 lbs)
Payload	
Level Surface	2x5 kg (2x11 lbs)
Power	
Battery	22-29 VDC LiFePO ₄
Capacity	60 Ah
Run Time	8 hours (continuous)
Recharge Time	3.5 hours (5:1 ratio)
Battery Life	7 years
	16 hr/day , 5 days/wk
Charging Station	Automatic (optional)
Mobility Overview	
Maximum Speed	1000 mm/sec
Tire Composition	Non-Marking Rubber
Suspension	Passive
Steering	Differential
Turning Radius	0
Swing Radius	343 mm (13.5 in)
Traversable Gap	15 mm (0.6 in)
Traversable Sill	15 mm (0.6 in)

CE, SEMI, VDI, ANSI B56.5

Payload

2 SMIF Pods for the automated exchange of

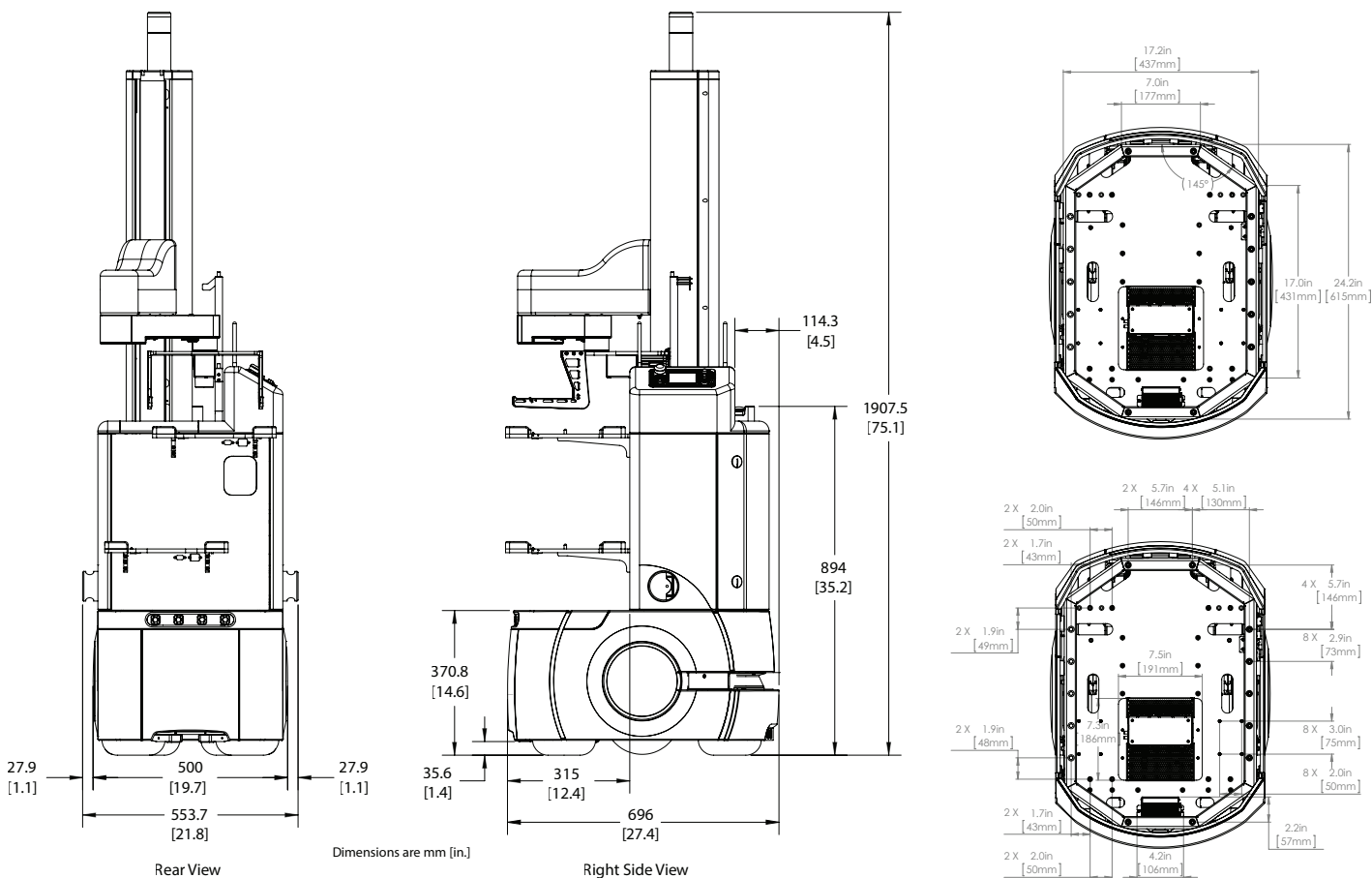
150 or 200 mm wafers

+/- 1 mm pod placement accuracy

Load port compatible: SEMI E15

OMRON ADEPT LYNX HANDLER-SEMI

Dimensions: Omron Adept Lynx Handler-Semi (mm)



The Omron Adept Lynx Handler-semi system includes the following:

- Omron Adept Lynx™ mobile platform
- Graphical user interface
- 22-29 VDC battery pack
- Covers are removable without tools for maintenance
- User interface wheel indicating vehicle intent and status
- Programmable voice and audio prompts
- Queue management software

Options and Peripherals:

- Class100 Cleanroom
- MobilePlanner™ and MobileEyes™ software package
- Enterprise Manager Lite
- Call buttons
- Door interface

Downloads:

Download CAD files for the Omron Adept Lynx Handler-Semi robot from <http://www.omron247.com>



Omron Adept Technologies, Inc.

Tel: 925-245-3400 Email: info@adept.com

omron247.com

Specifications subject to change without notice.

©2016 Omron. ALL RIGHTS RESERVED.

Pub Number R2881-E-01